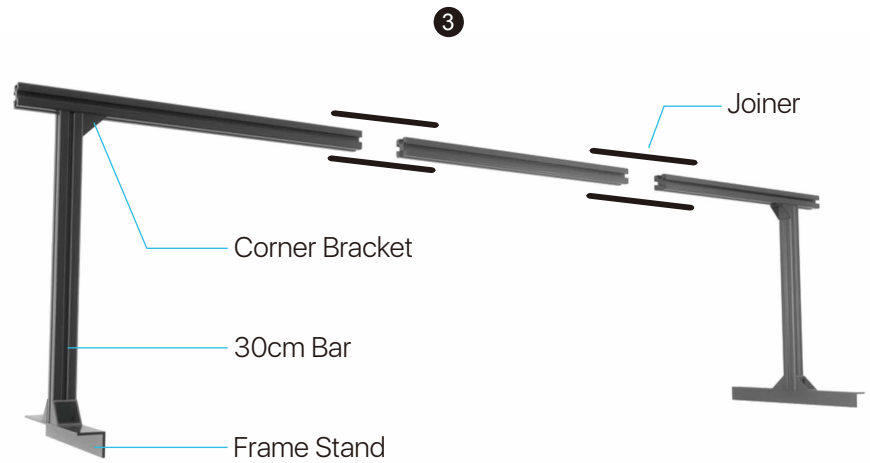
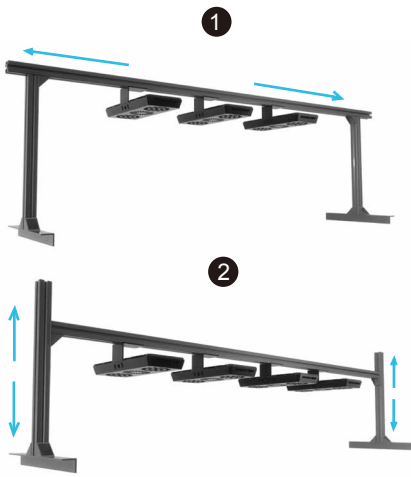


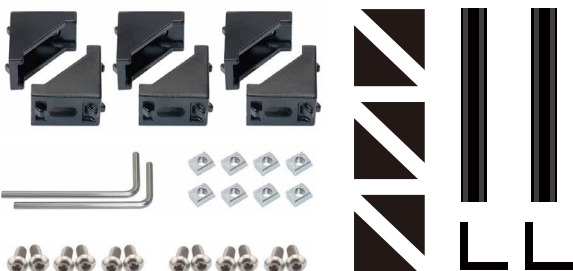
# THOR Series Sky Mounting Rack




## Standard


### Sky Mounting Rack Sets


- 2pcs - 30cm Bar
- 2pcs - Frame Stand
- 6pcs - Corner Bracket
- 6pcs - Corner Bracket Cover
- 8pcs - Corner Bracket 40 T Nuts
- 12pcs - Hex Screw
- 2pcs - Wrench (one for corner bracket, one for joiner)



## Optionals

  
Bar 600 ( Suit 60cm Standard tank)

  
Bar 900 ( Suit 90cm Standard tank)

  
Joiner, Suit for join 2pcs bars, eg: 60cm join 60cm for 120cm tank.

  
THOR & THOR X Hanging mount kits.